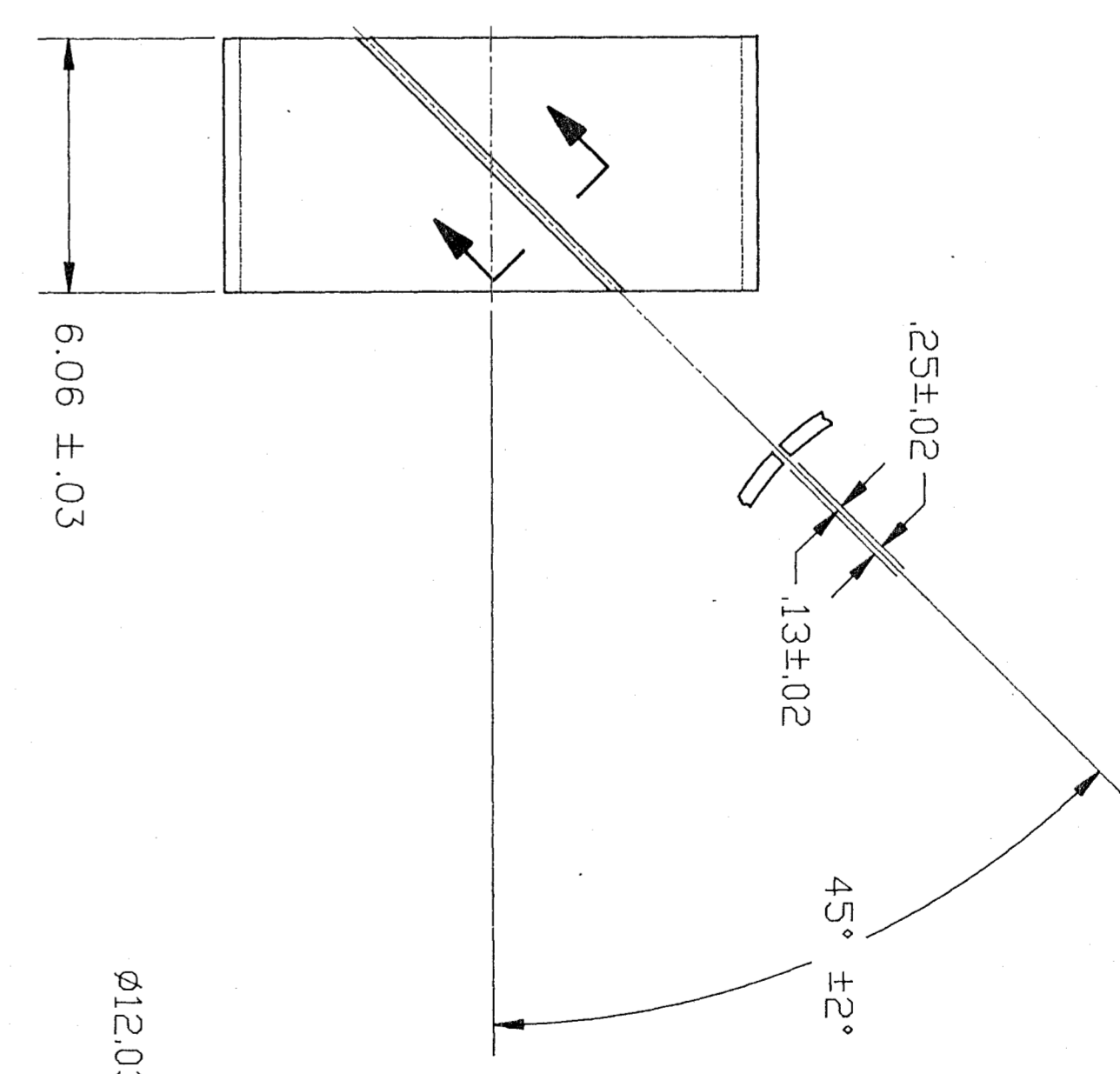
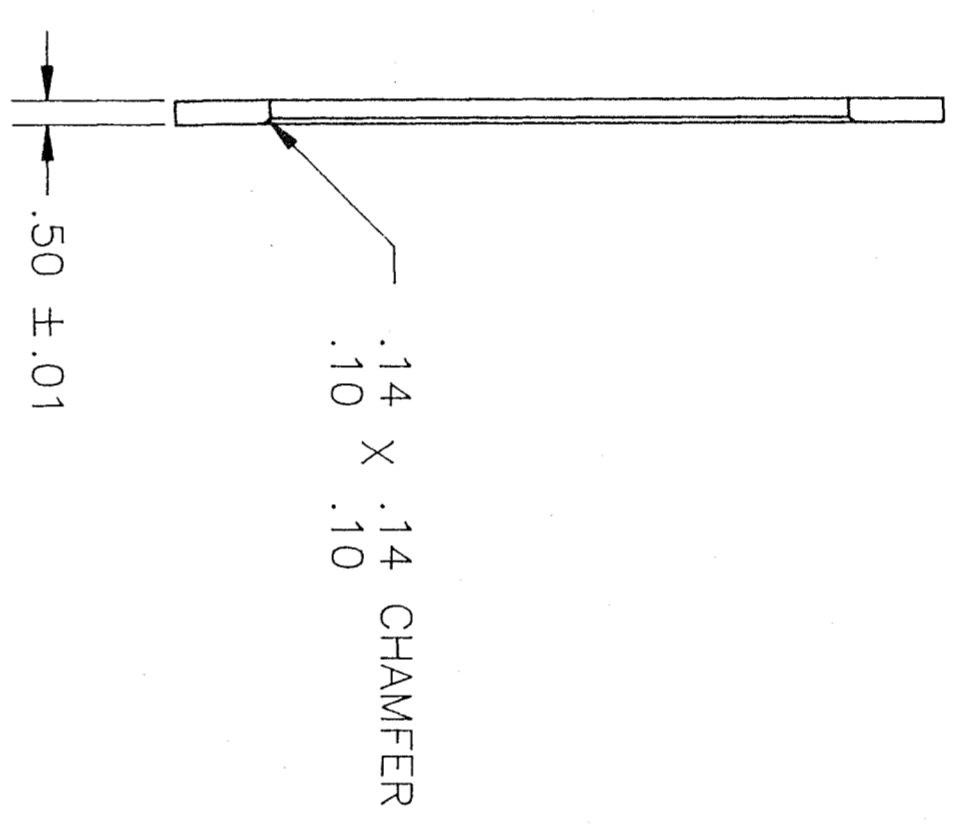


(13)

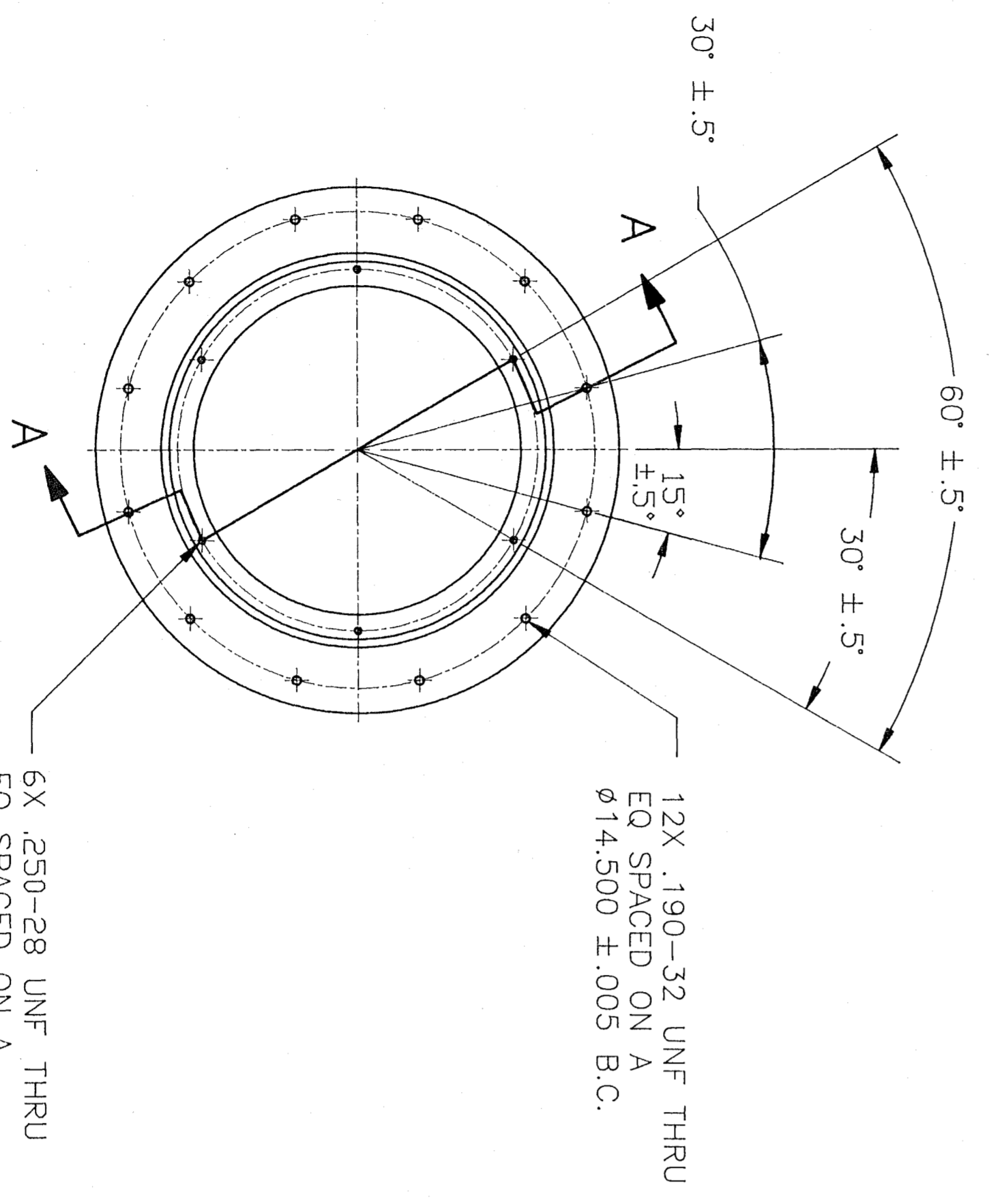
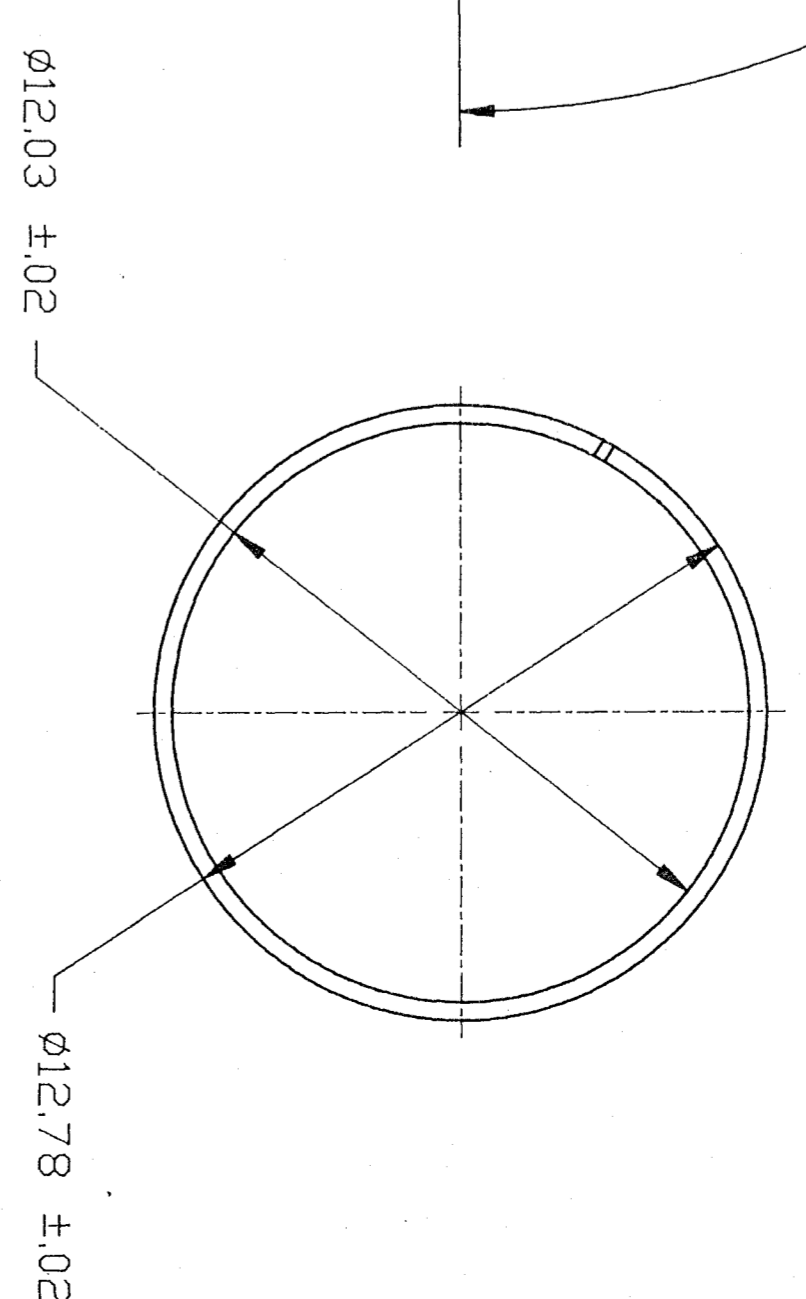
RING, REMOVAL



Material: Plastic (Nylon ?)

(14)

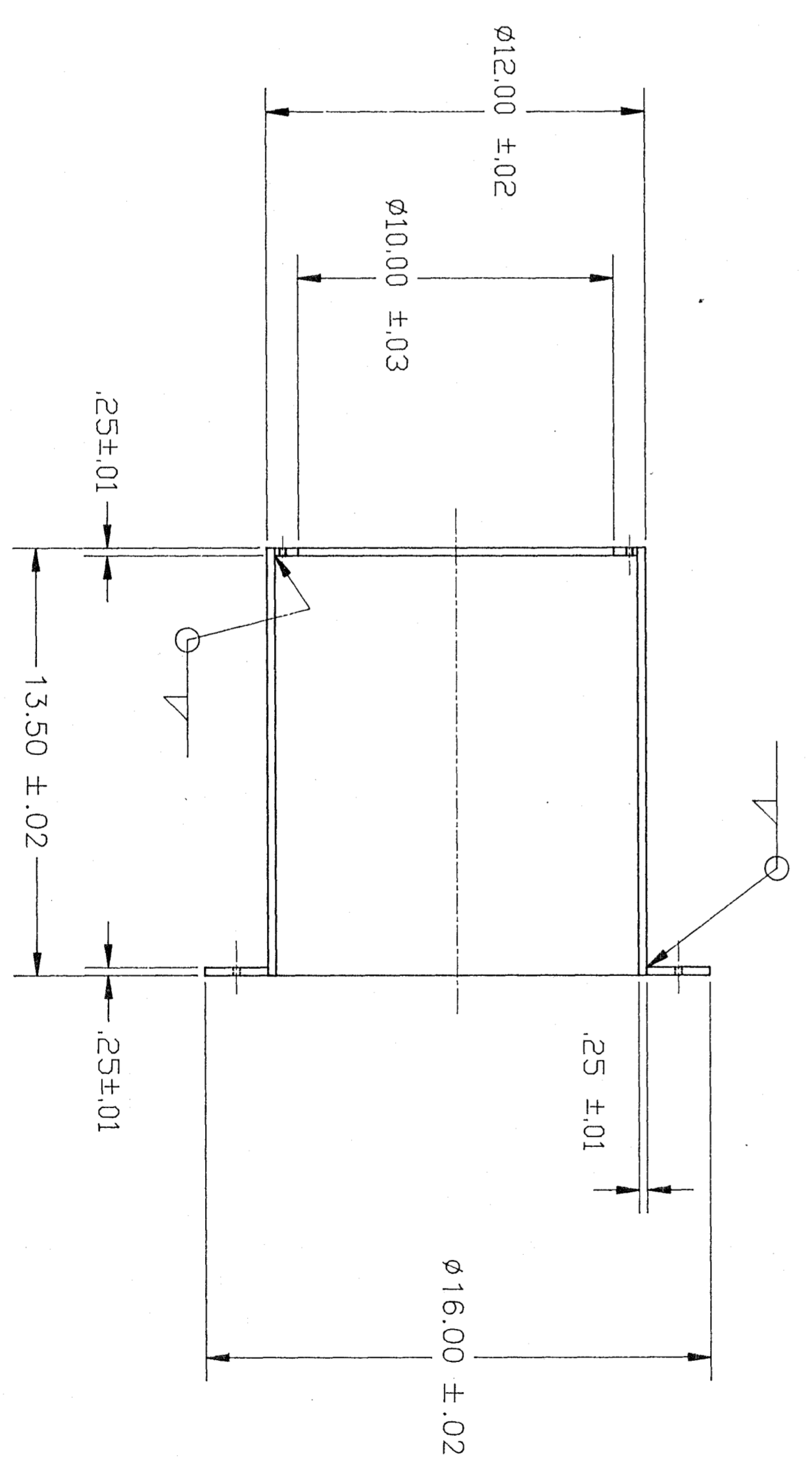
SLEEVE



12X .190-32 UNF THRU
EQ SPACED ON A
 $15^\circ \pm .5^\circ$ B.C.

WELDMENT, TUBE

(12)



SECTION A-A

ALPINE		UTOSCOPE CORPORATION	
REV	DATE	REV	DATE
1	5/10/93	1	5/10/93
DETAILS		DETAILS	
Product #	1000AA	Product #	1000AA
Scale	1/4	Scale	1/4
Part #	1000AA-32	Part #	1000AA-32
REV		REV	
P.O. BOX 2560, MESA, ARIZONA, 85207-2560 U.S.A.			
PHONE (602) 497-8882			