

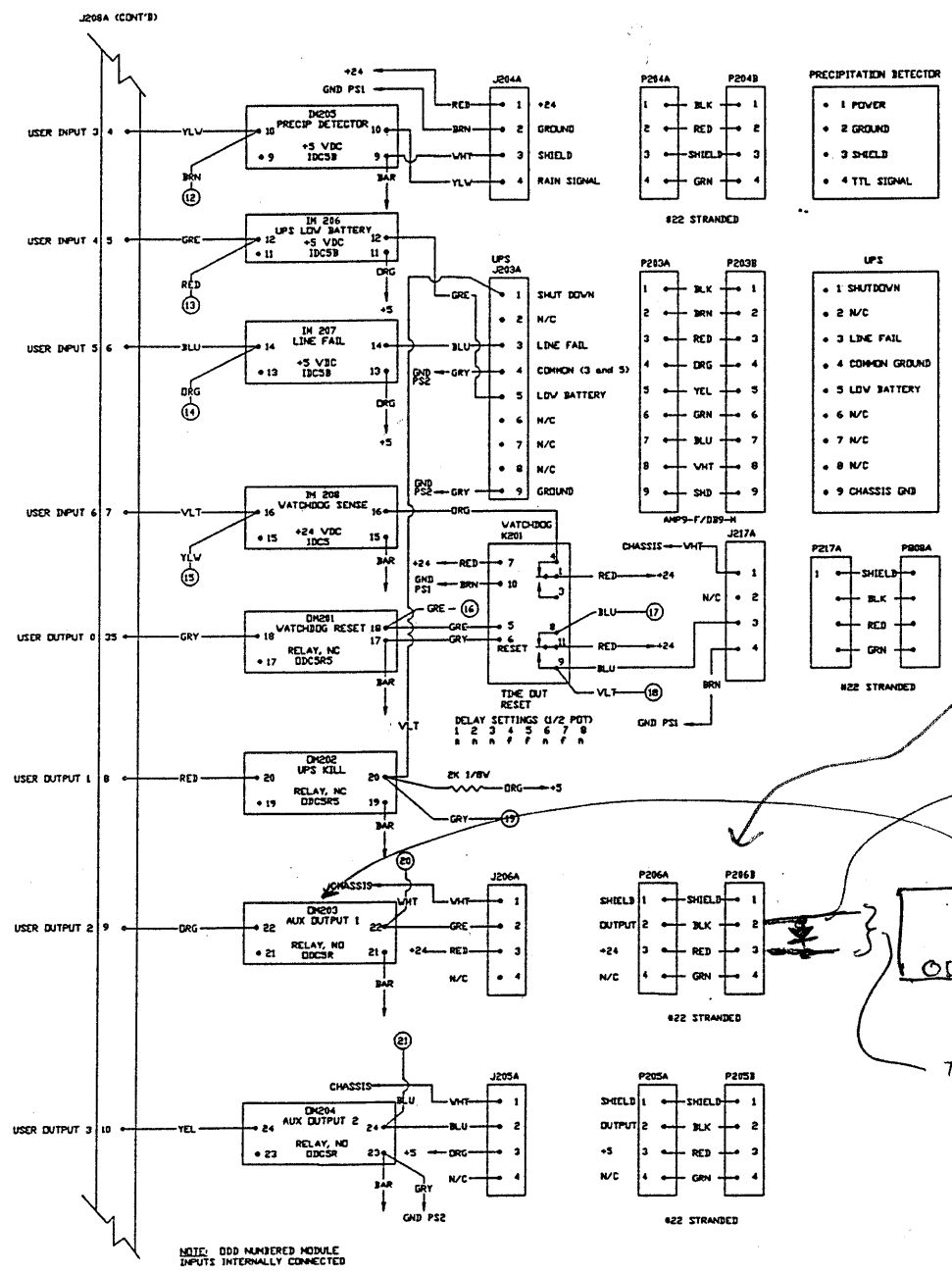
NOTE: ODD NUMBER MODULE INPUTS INTERNALLY CONNECTED

DCS-200 I/O	DCS-200 I/O	PE200B	PE200B
SHIELD/GROUND	1	BLK	42
USER INPUT 1	2	BRN	6
USER INPUT 2	3	RED	45
USER INPUT 3	4	DRG	7
USER INPUT 4	5	YEL	44
USER INPUT 5	6	GRN	8
USER INPUT 6	7	BLU	43
USER OUTPUT 1	8	VLT	2
USER OUTPUT 2	9	GRY	49
USER OUTPUT 3	10	WHT	3
USER OUTPUT 4	11	BLK	48
USER OUTPUT 5	12	BRN	4
USER OUTPUT 6	13	RED	47
X GROUND	14	DRG	12
X PULSE	15	YEL	41
X DIRECTION	16	GRN	11
X AUXILIARY	17	BLU	40
X HOME	18	VLT	38
X NEG CV LIMIT	19	GRY	13
X POS CV LIMIT	20	WHT	39
Y GROUND	21	BLK	16
Y PULSE	22	BRN	37
Y DIRECTION	23	RED	15
Y AUXILIARY	24	DRG	36
Y HOME	25	YEL	34
Y NEG CV LIMIT	26	GRN	17
Y POS CV LIMIT	27	BLU	35
N/C	28		
N/C	29		
N/C	30		
N/C	31		
N/C	32		
USER INPUT 0	33	RED	46
USER INPUT 7	34	DRG	9
USER OUTPUT 0	35	YEL	50
N/C	36		
USER OUTPUT 7	37	BLU	5

#Pins 1, 10, 14, 18 - 33 not used

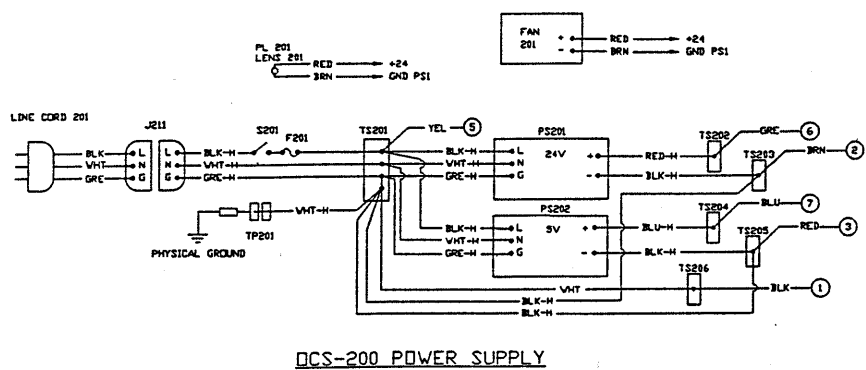
AutoScope Corporation
 P.O. Box 2660 Mesa, Arizona 85214-2660 U.S.A.
 Phone 480/947-1844 FAX 480/947-1841

REV 001 08.03.94 DCS-200 NONE
 LIGHT / AUXILIARY INPUT

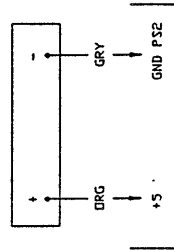
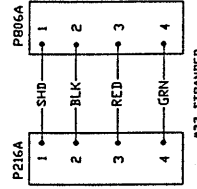
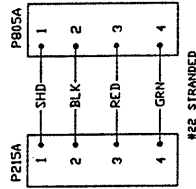
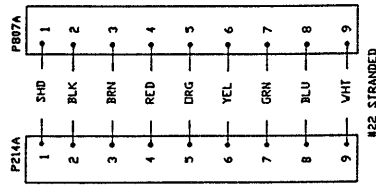
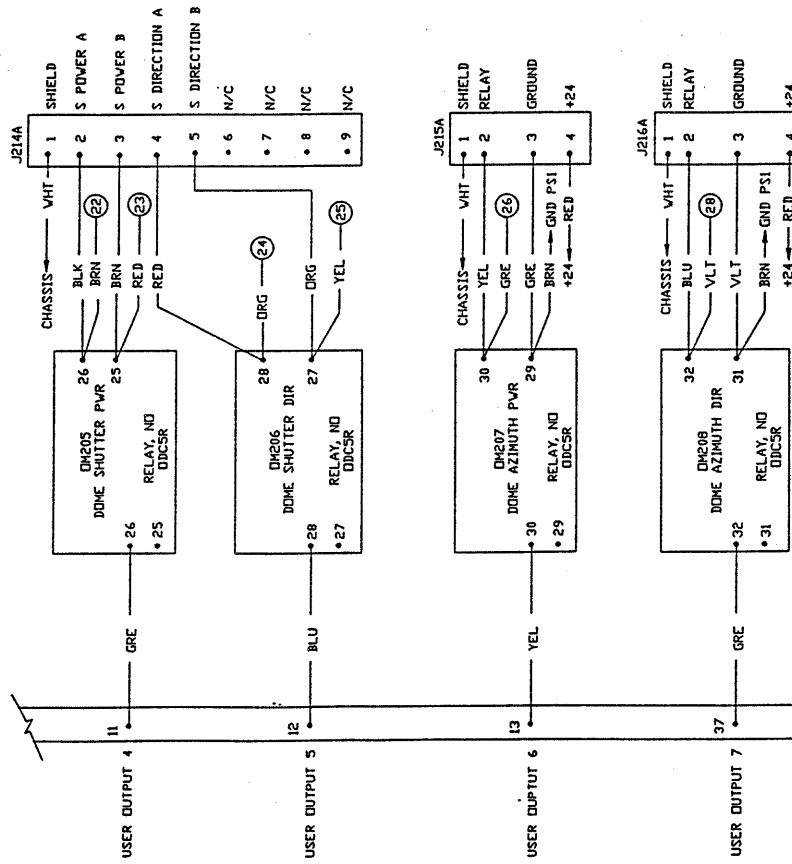


*bl 3 commands
 bl 3 Aux 1
 IN 4003 or similar
 which is
 plugged into
 04
 TO SOLENOID COIL*

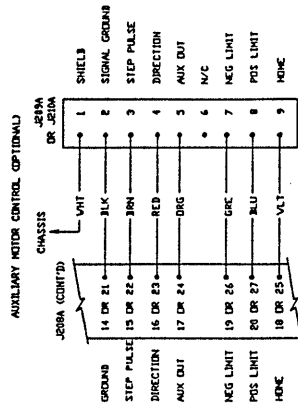
NOTE: ODD NUMBERED MODULE INPUTS INTERNALLY CONNECTED

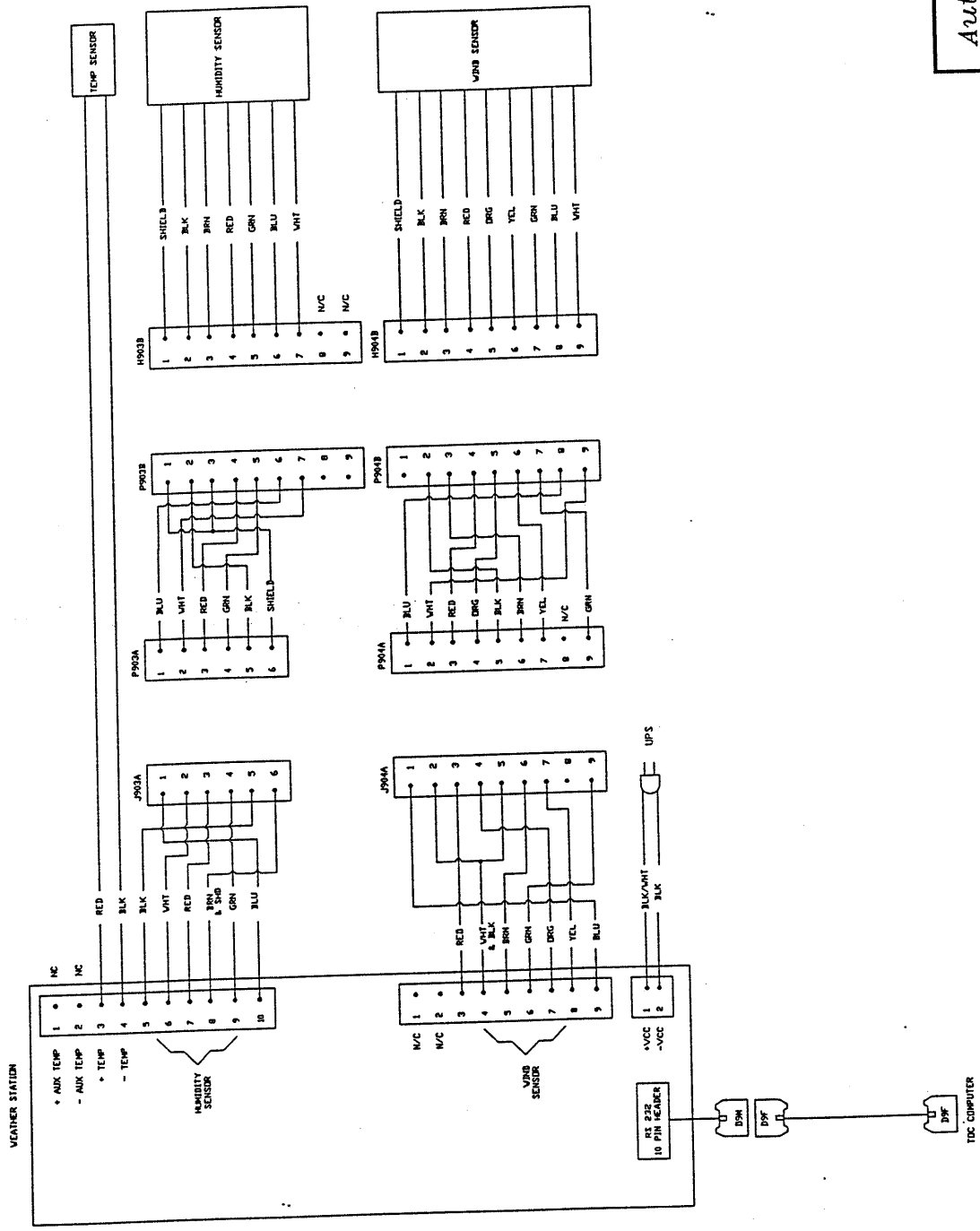


J208A (CONT'D)



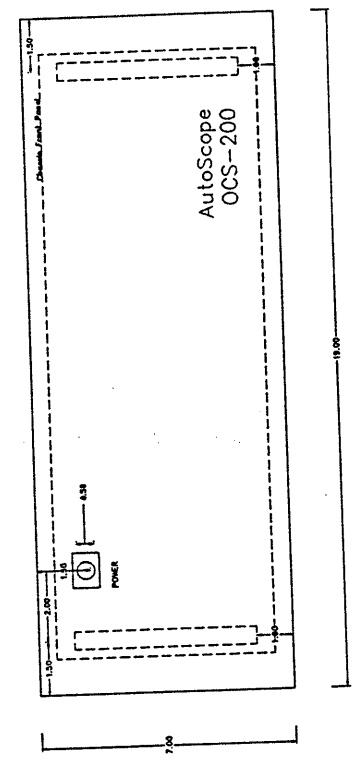
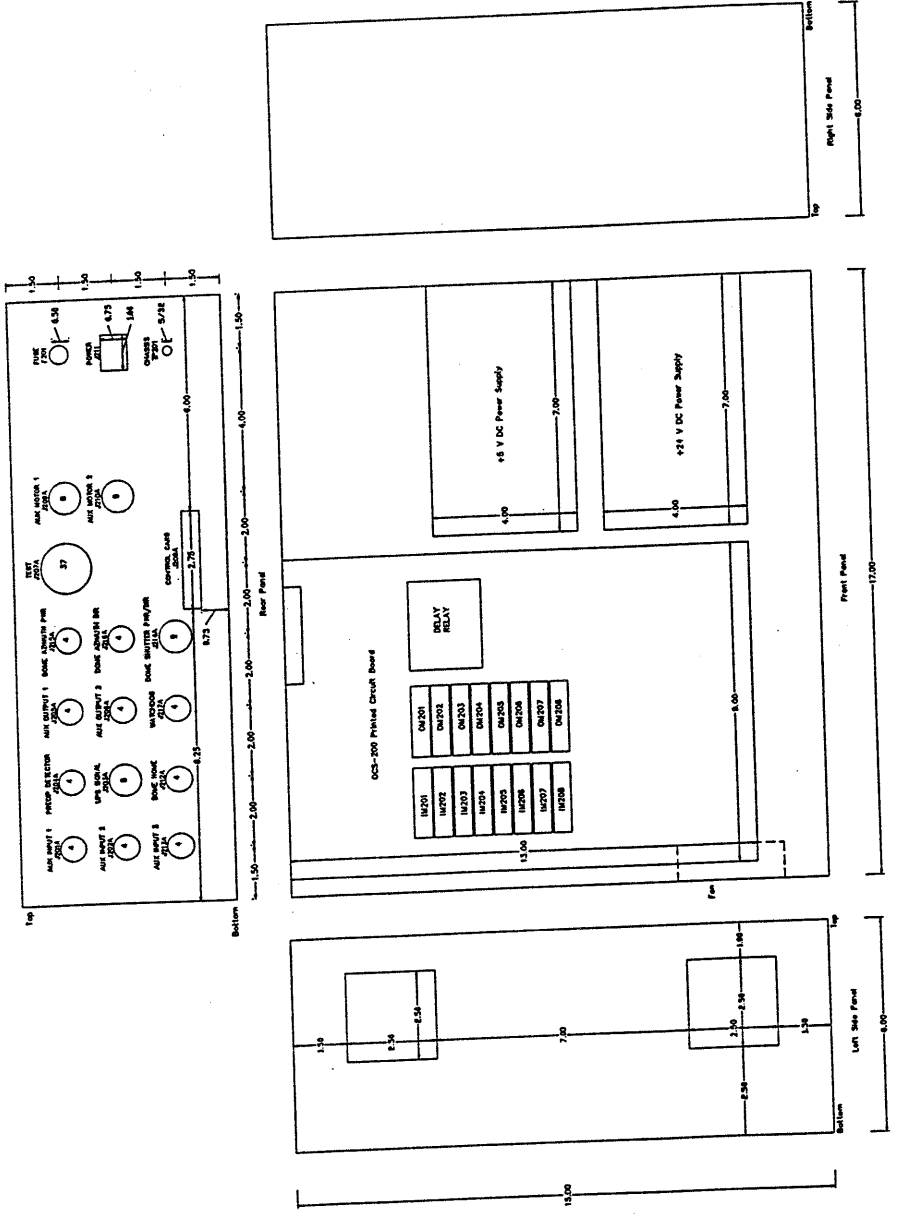
NOTE: ODD NUMBERED INPUTS INTERNALLY CONNECTED



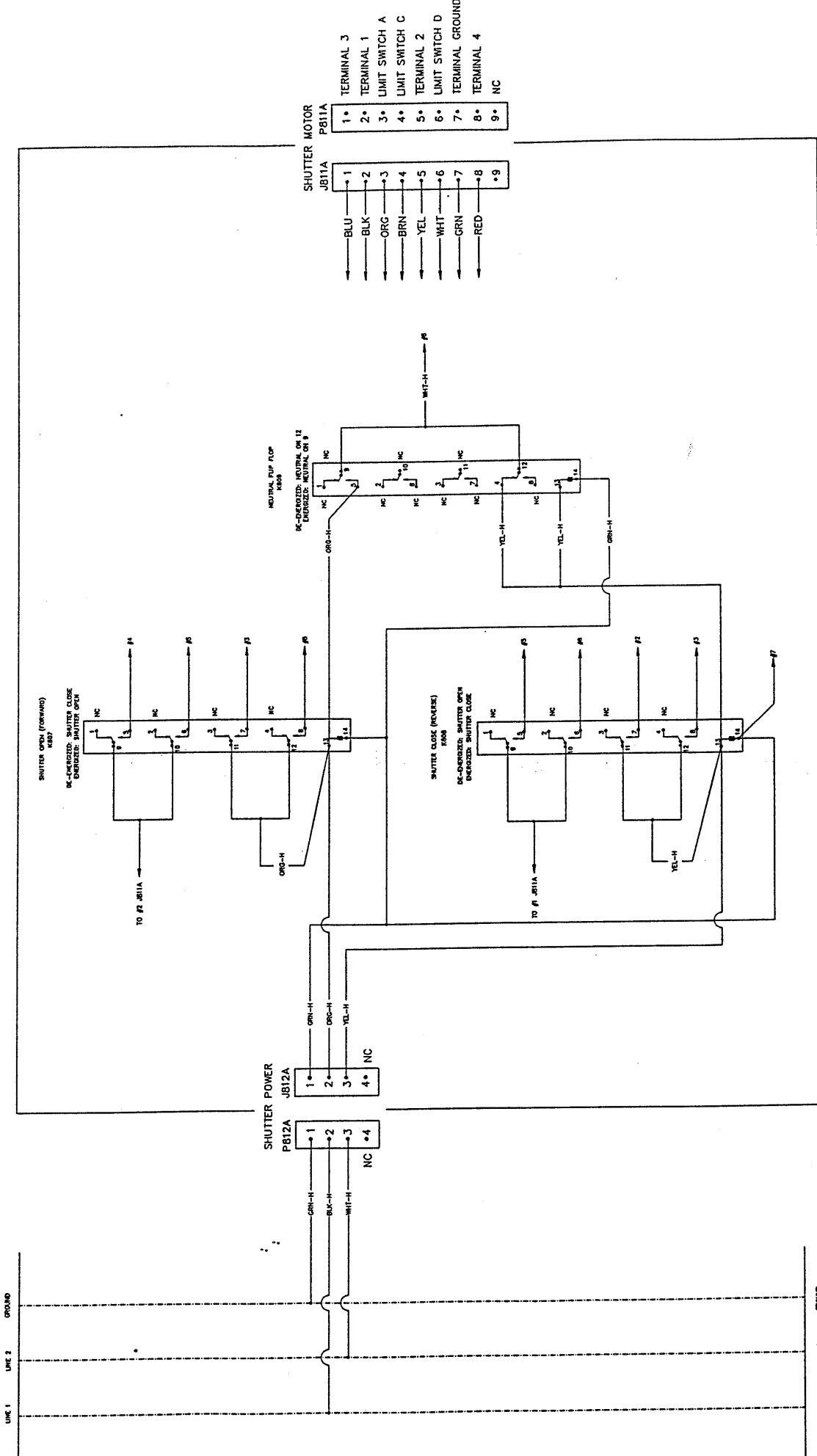


AutoScope Corporation
 P.O. Box 2560 Mesa, Arizona 85114-2560 U.S.A.
 Phone 602/977-8844 Fax 602/977-8871

Model No. WEATHER SENSORS
 Part No. DCS-200
 Rev. 3.0



AutoScope OCS-200

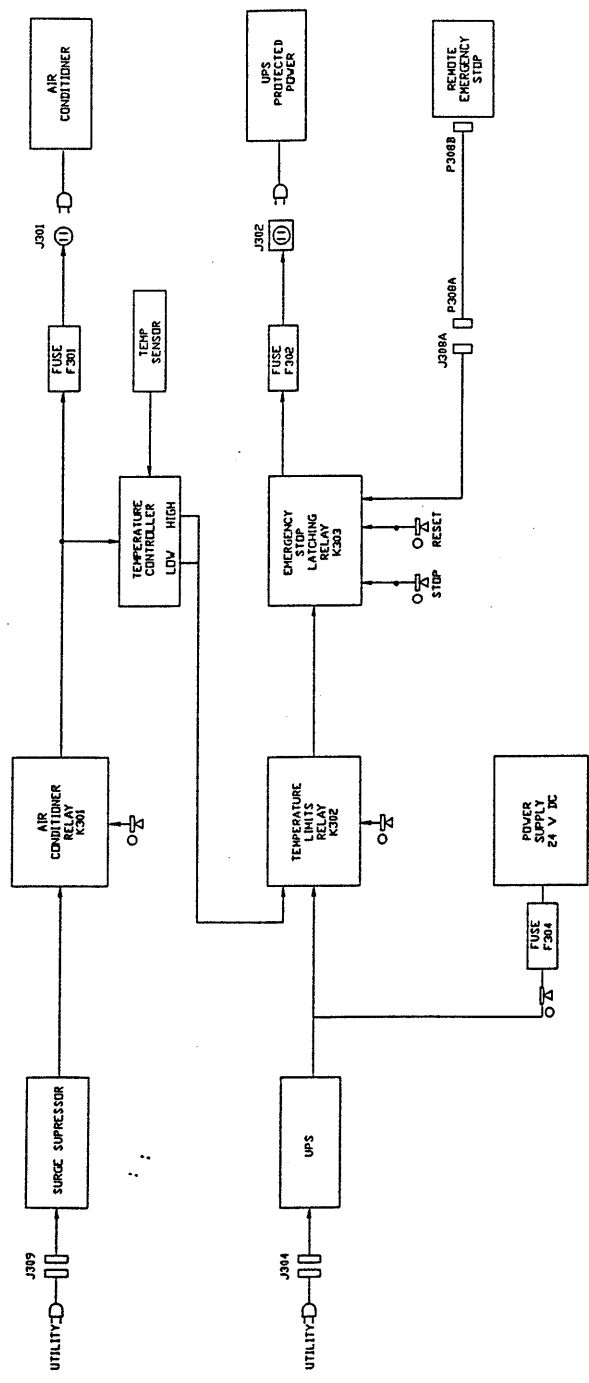


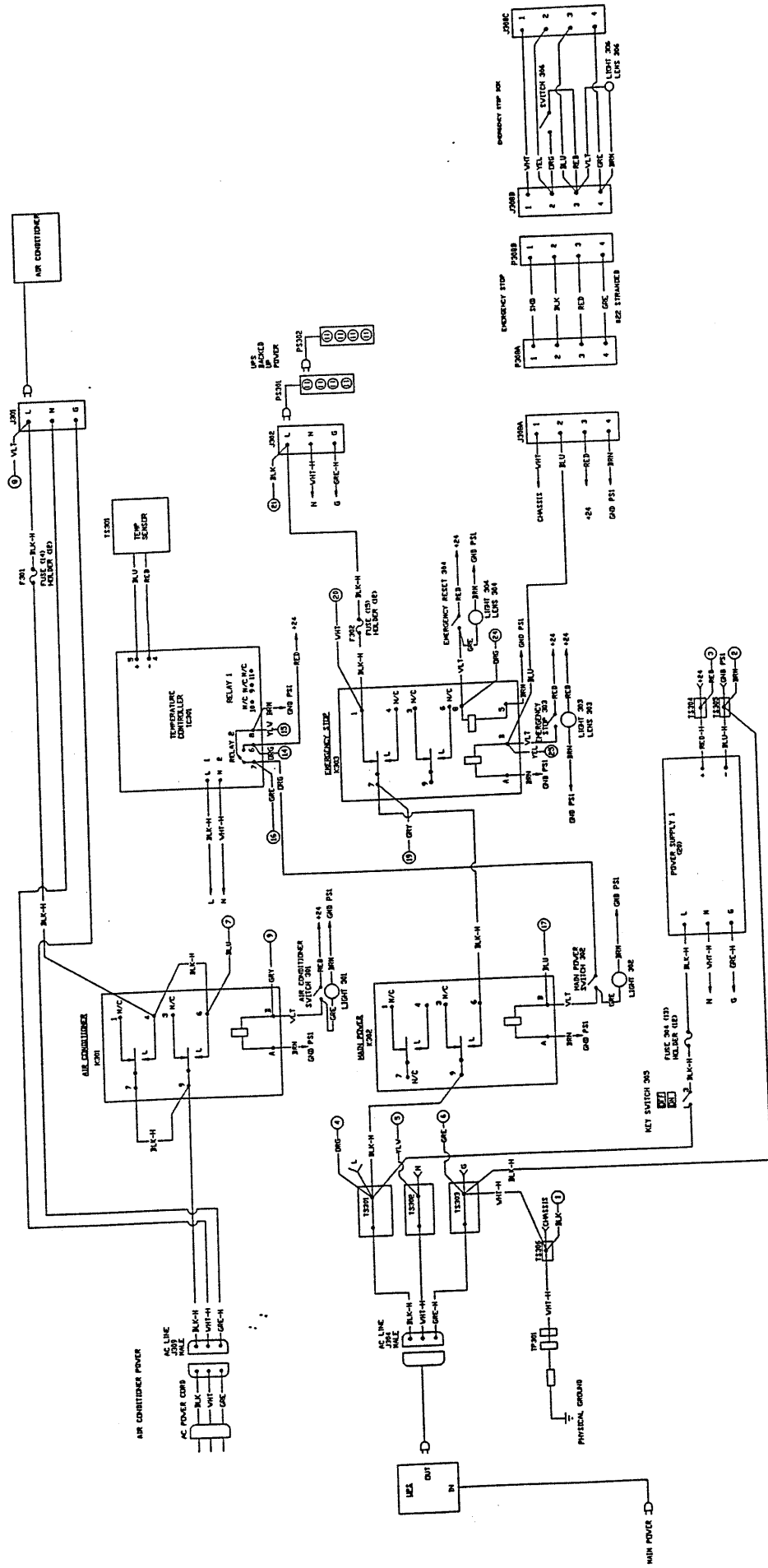
AutoScope Corporation
 P.O. Box 2660 Mesa, Arizona 85214-2060 U.S.A.
 Phone 602/947-8822 Fax 602/947-8871

MODEL NO. 0802594 PROJECT NO. CUSTOMER NO. ORDER NO. DATE
 KIV 0802594 DCS-110 DCS-S3 NONE
 DCS-110 S.P.A.K. DCS-110 DCS-S3 3.0

J307A

1	BLK	CHASSIS
2	BRN	GROUND FSI
3	RED	24 V DC
4	ORG	LINE IN
5	YEL	NEUTRAL IN
6	GRE	GROUND IN
7	BLU	AIR BF FUSE
8	VLT	AIR AFTER FUSE
9	GRY	AIR RELAY COIL
10	NC	UNUSED
11	NC	UNUSED
12	NC	UNUSED
13	NC	UNUSED
14	ORG	SP2 TEMP ON
15	YEL	SP2 TEMP OFF
16	GRE	SP2 TEMP COM
17	BLU	TEMP LIMIT COIL
18	NC	TEMP-LIMIT AC UNUSED
19	GRY	UPS AC IN
20	VHT	UPS AC BF FUSE
21	BLK	UPS AC AFTER FUSE
22	NC	UNUSED
23	NC	UNUSED
24	DRG	RESET COIL
25	YEL	EMERGENCY STOP COIL
26	NC	UNUSED
27	NC	UNUSED
28	NC	UNUSED
29	NC	UNUSED
30	NC	UNUSED
31	NC	UNUSED
32	NC	UNUSED
33	NC	UNUSED
34	NC	UNUSED
35	NC	UNUSED
36	NC	UNUSED
37	NC	UNUSED

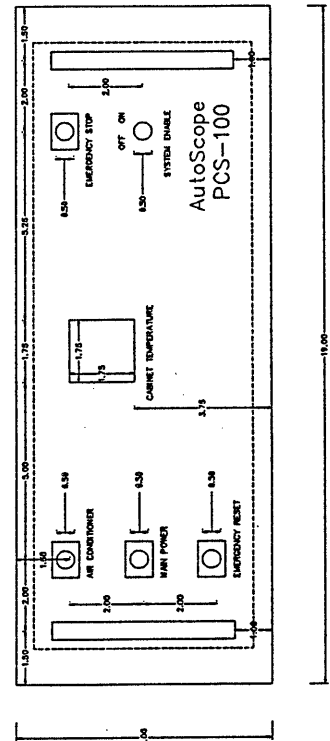
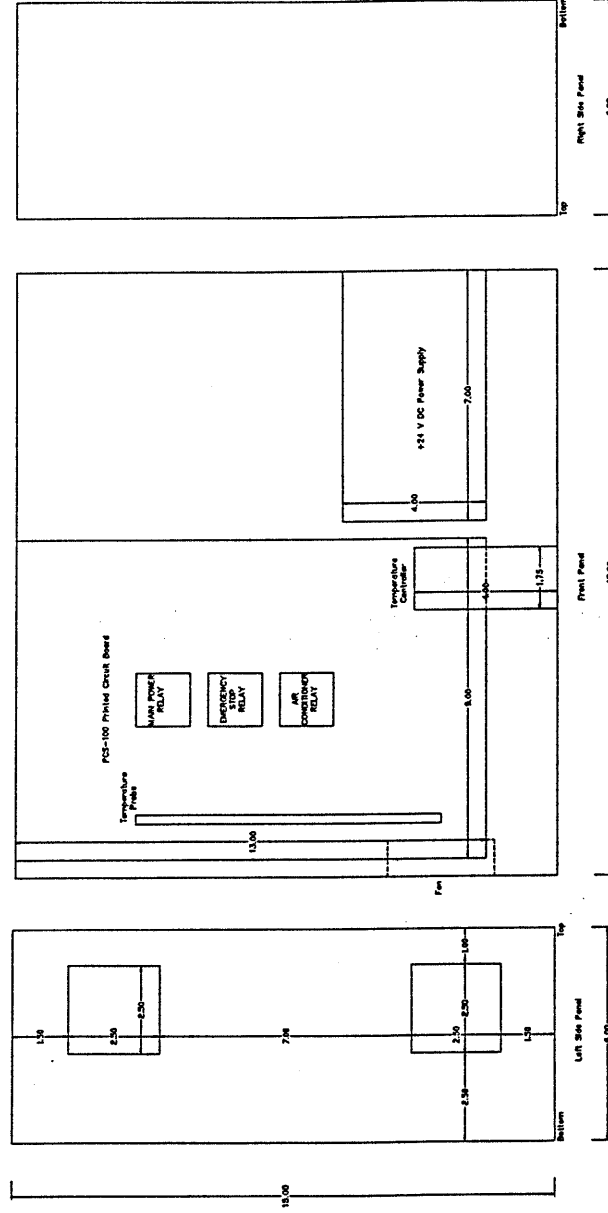
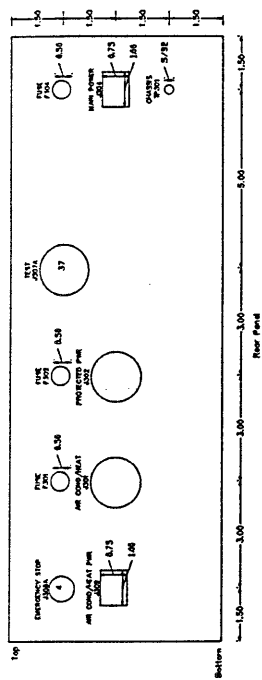




NOTE: FUSE F302 IS 250V AEC TYPE 12A

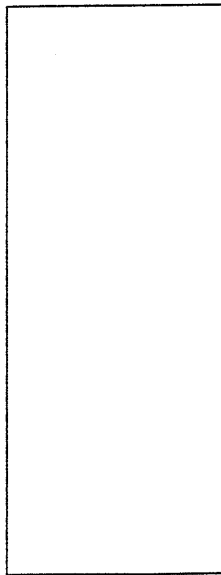
AutoScope Corporation
 P.O. Box 2580 Mesa, Arizona 85214-2680 U.S.A.
 Phone: 602/947-8822 Fax: 602/947-8811

REV. NO.	REV. DATE	REV. BY	REV. REASON
060374			
PCS-100		PCS-S2	
NAME			
POWER CONTROLLER			
3.0			

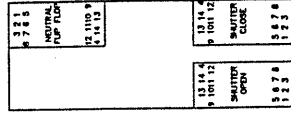
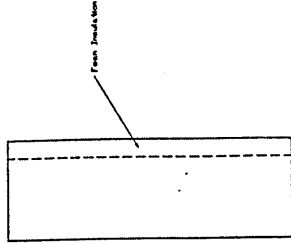
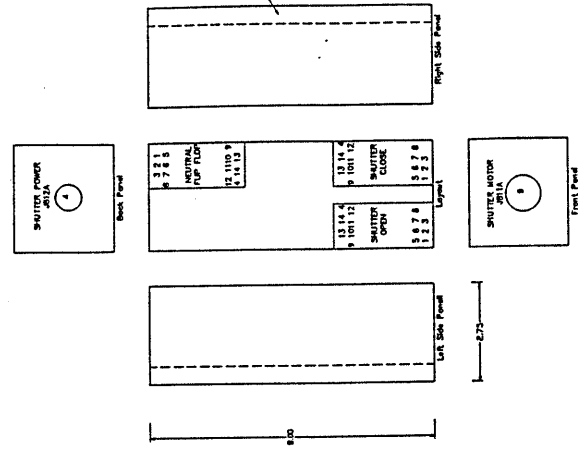
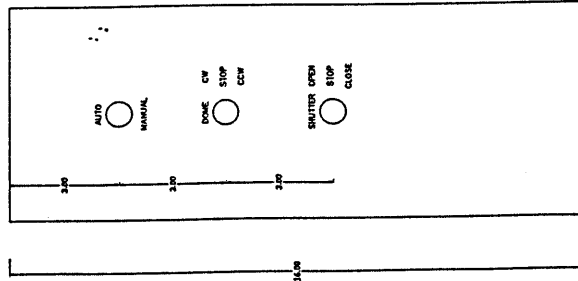
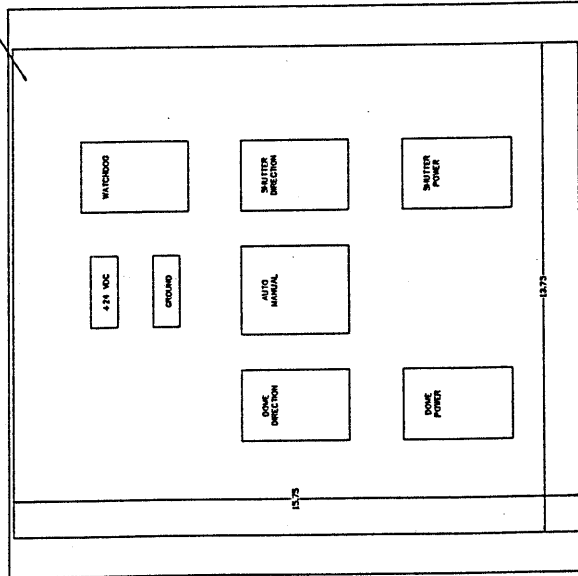


AutoScope Corporation
 2637 Midpoint Drive Suite 2 Fort Collins, CO 80524 U.S.A.
 Phone 970/231-4888 Fax 970/231-4888

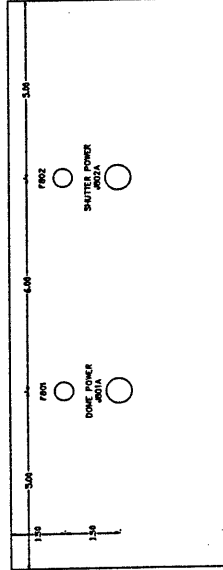
REV	080494	DATE	10/20/88	DRAWN	
DESCRIPTION	CHASSIS LAYOUT		SCALE		
PROJECT	PCS-100	SHEET	1	TOTAL SHEETS	1
CUSTOMER	PCS-CSI	PROJECT NO.		REV.	NONE
					SCALE
					DATE
					BY
					CHECKED



14 Gauge Jack Panel



Shutter Power Allocator Layout



DCS-110 Layout

AutoScope Corporation
 2637 Midpoint drive Suite & Fort Collins, CO 80524 U.S.A.
 Phone #970/232-8899

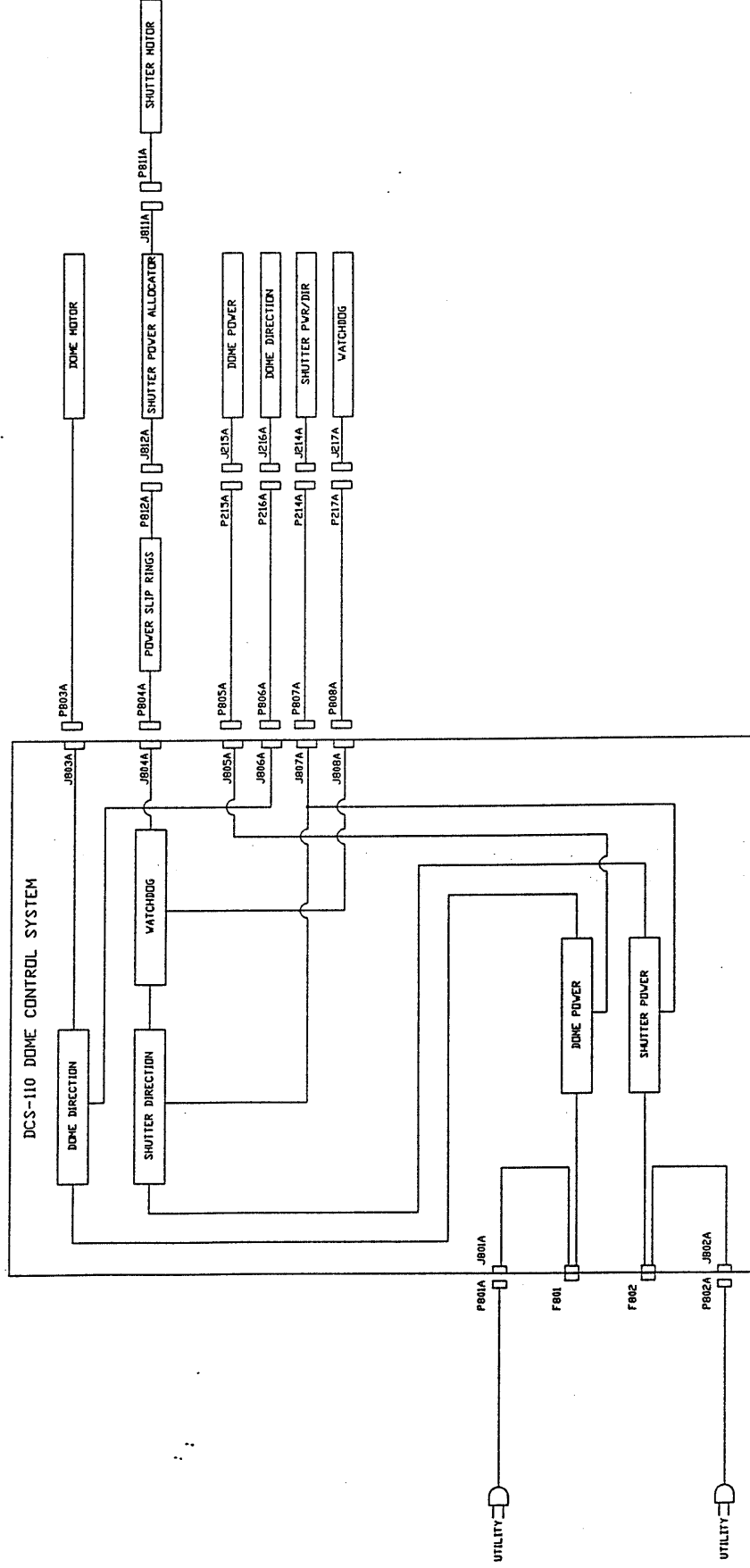
REV	DATE	BY	CHKD
001	05/04/94		

DCS-110 / POWER ALLOCATOR LAYOUT

DCS-110

DCS-CSI

1.0



AutoScope Corporation
 P.O. Box 2560 Mesa, Arizona 85214-2560 U.S.A.
 Phone 602/997-1881 Fax 602/997-1881

REV	DATE	DESCRIPTION	BY
1.0	05/14/84	INITIAL	DCS-110
1.0		DCS-110	

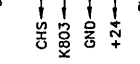
DOME MOTORS



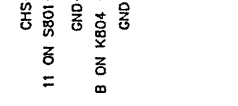
DOME POWER SIGNAL



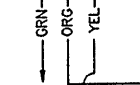
DOME DIRECTION SIGNAL



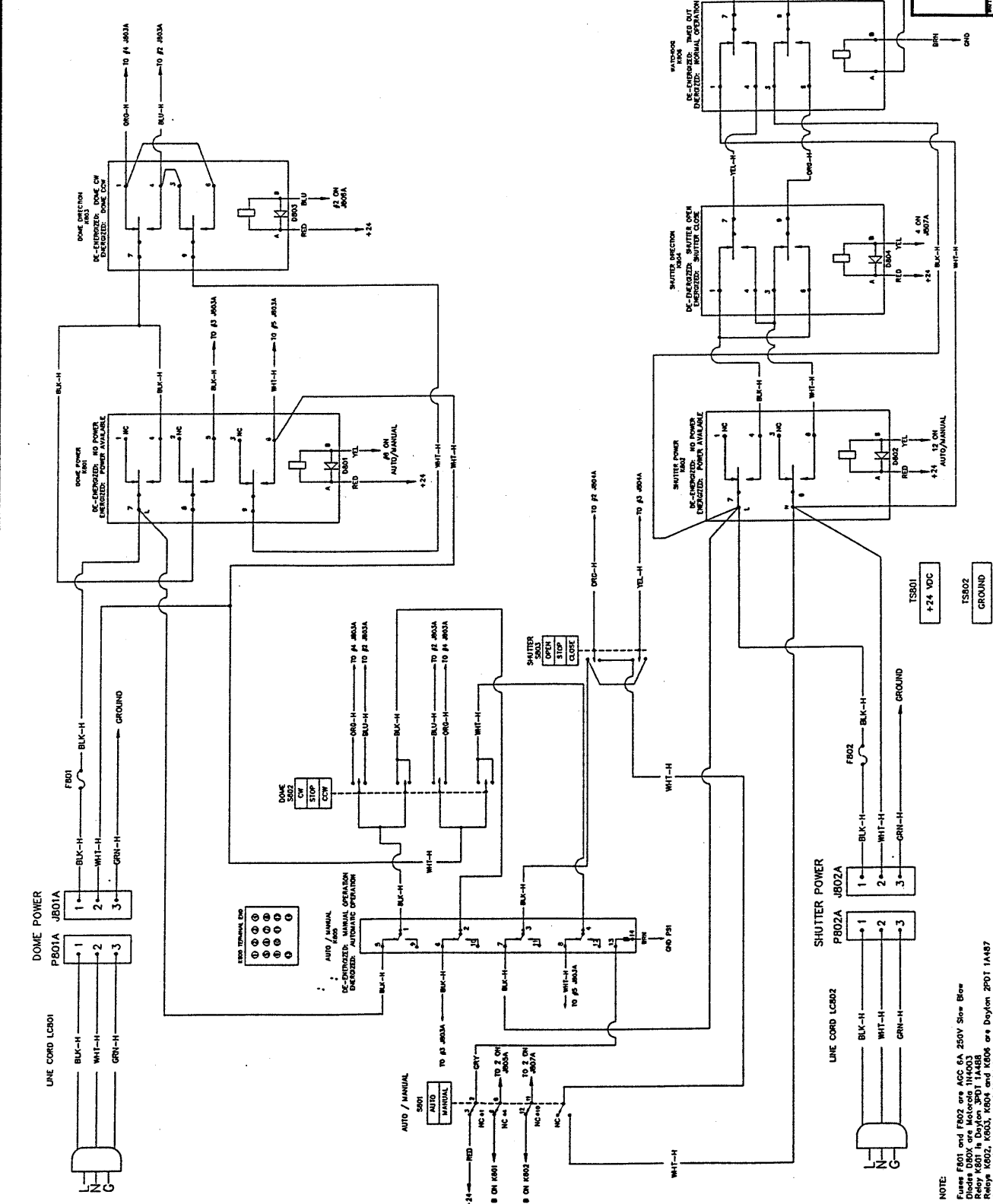
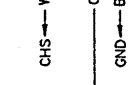
SHUTTER PWR/DIR SIGNAL



SHUTTER MOTOR



WATCHDOG SIGNAL



AutoScope Corporation
 P.O. Box 25680 Mesa, Arizona 85214-0680 U.S.A.
 Phone 602/887-6682 Fax 602/887-8881

REVISED BY: KHV DATE: 08/25/94
 DRAWN BY: KHV DATE: 08/25/94

110V DOME CONTROL SYSTEM DCS-110

REV: 1.0

NOTE:
 Fuses F801 and F802 are ICS 6A 250V Slow Blow
 Diode D801 is Motorola 1N4003
 Relay K801 is Dayton ZPOT 1A488
 Relay K802, K803, K804 and K805 are Dayton ZPOT 1A487
 Relay K805 is PAB #POT P4170Y